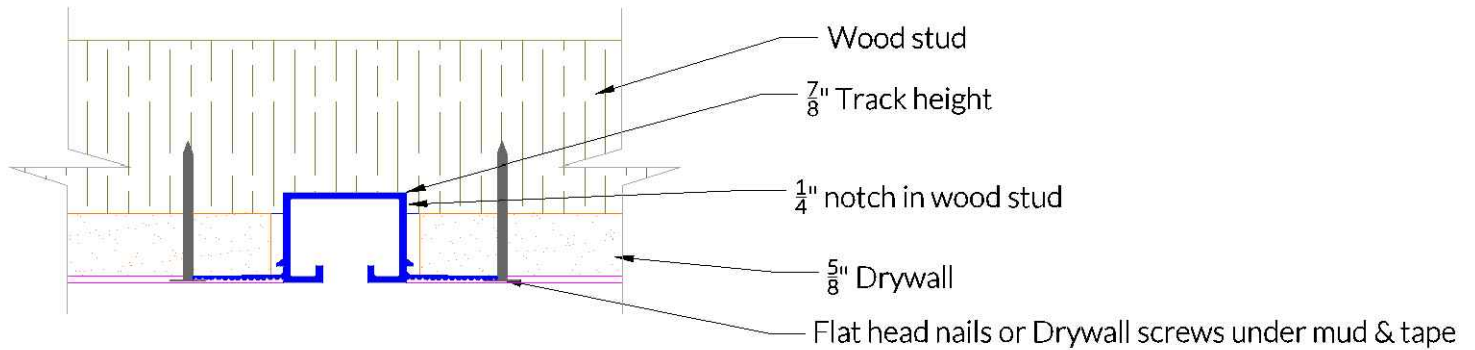


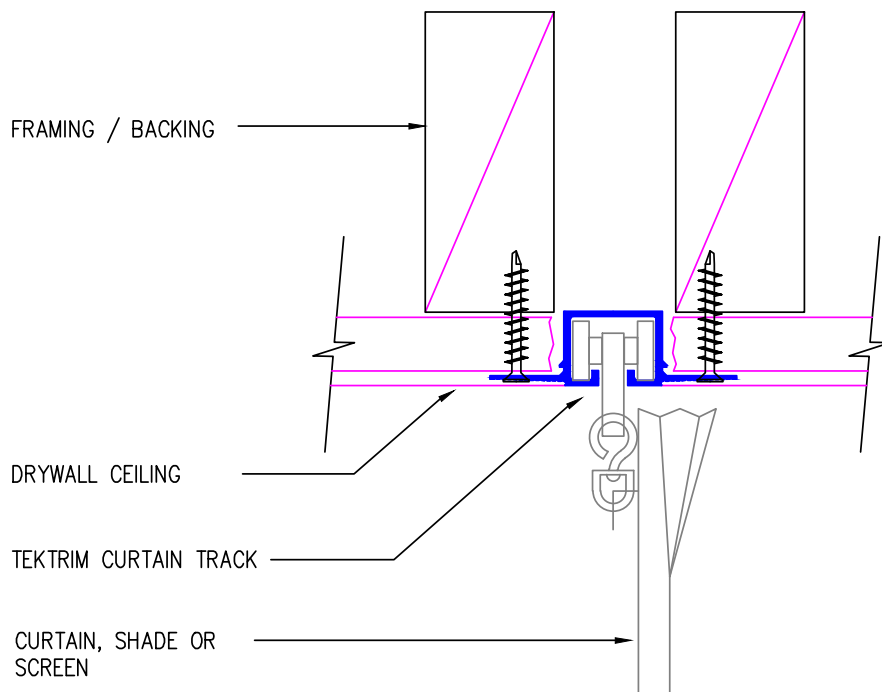
# Tektrim

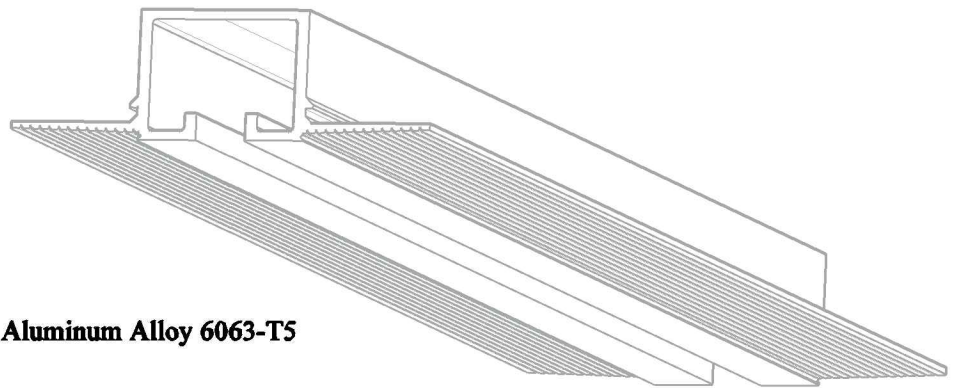
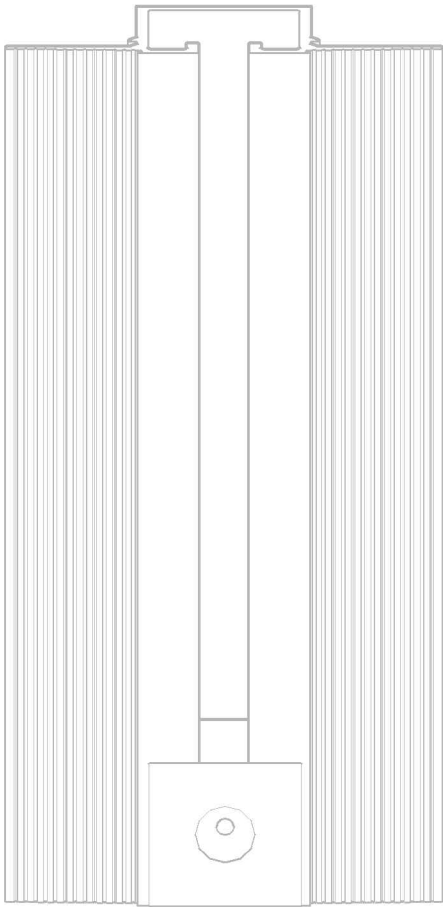
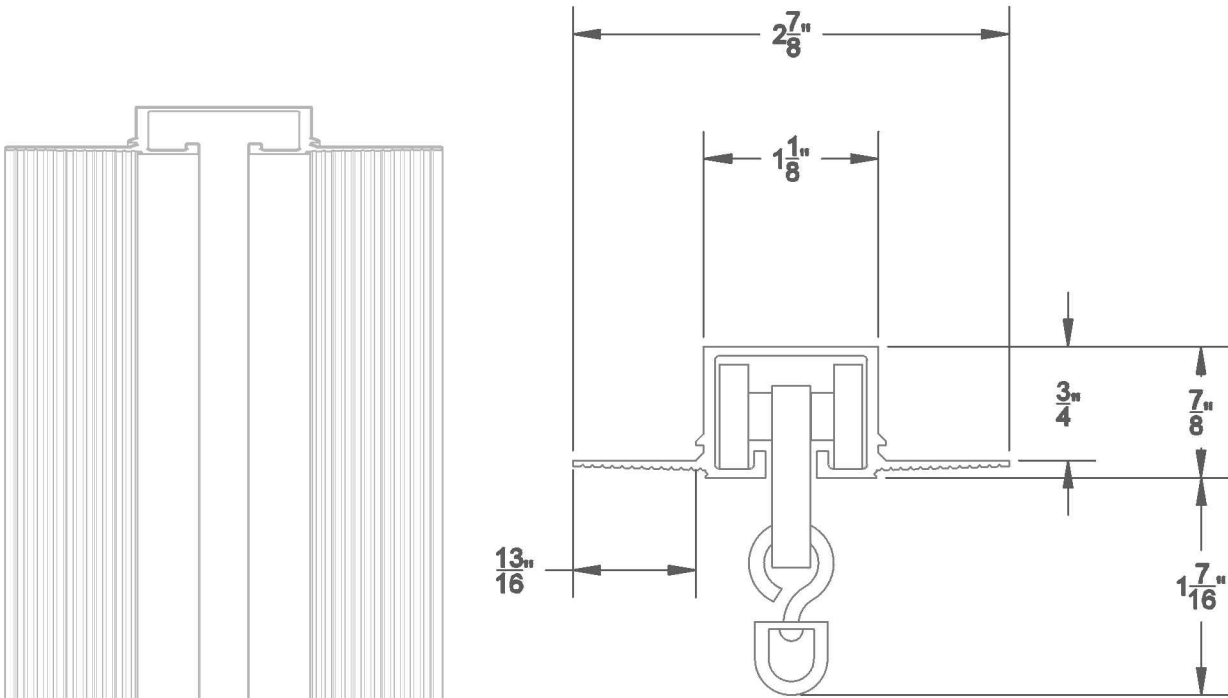
## CURTAIN TRACK AND ROLL PLEAT INSTALLATION GUIDE

### *Installation Application #1*



### *Installation Application #2*



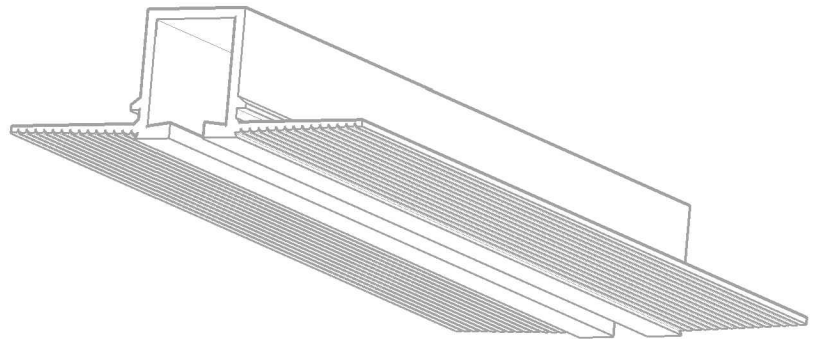
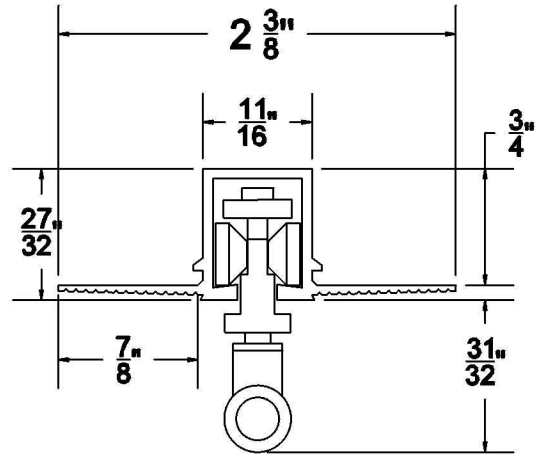
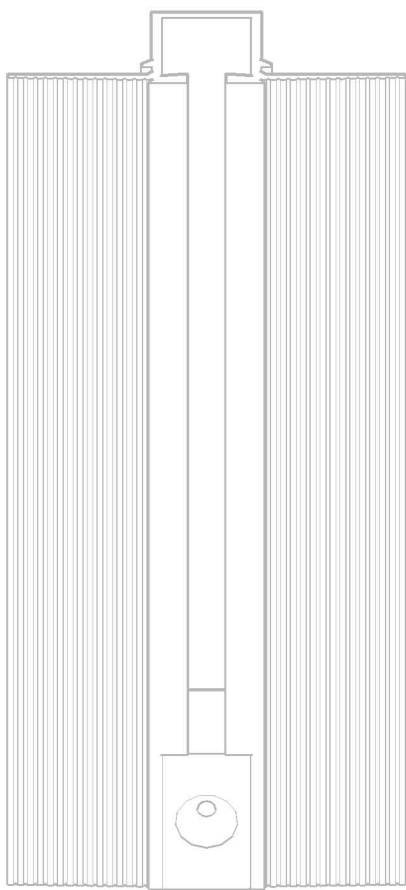


**Extruded Mill Finish Aluminum Alloy 6063-T5**

# Tektrim Curtain Track

**TEKTRIM CORP. 15000 S Avalon Blvd. Suite I Gardena, CA 90248 [www.tektrim.com](http://www.tektrim.com)**





**Extruded Mill Finish Aluminum Alloy 6063-T5**

Tektrim

ROLL-PLEAT CURTAIN TRACK

TEKTRIM CORP. 15000 S Avalon Blvd. Suite I Gardena, CA 90248 [www.tektrim.com](http://www.tektrim.com)

- 1) Start by ensuring all components are present.
- 2) Determine location and layout of the track. The track is 7/8" tall so accommodations for the nesting will be critical to the finish drywall ceiling.
- 3) Add blocking to suit for parallel joist positions.
- 4) Check for debris and damage prior to and after installation.
- 5) The end block should be in placed in track slot when initial installation is implemented for a proper fit in the finish.
- 6) Straight line track in blocking using string or straight line to eliminate twisted or bowed curtain track.
- 7) Once the track is fastened, it is recommended to run a test carrier through the track to check for the absence of debris, proper function and any issues that may have occurred during installation.
- 8) The screed surface and track slot should be taped to prevent drywall mud and debris from being captured inside of the track. It is recommended to use a latex bonder (glue) on the metal taping flange and adjacent drywall to ensure bonding of the mud.
- 9) Fiberglass screen tape has been preferred by many drywall finishers to bridge the two surfaces.
- 10) After a preliminary sanding to the taped surface, remove the protective tape and continue to sand down to the track screed surface.
- 11) Clean and paint as desired.
- 12) Remove end block, install carriers, reinstall end block with screw, patch and touch up.

**If you have any further questions please Contact Tektrim at**

**1-888-999-0216**

**310-921-6042 (local)**

**Email - [info@tektrim.com](mailto:info@tektrim.com)**